



ViscoTec – Newsletter 12 / 2010
New products – Preview 2011

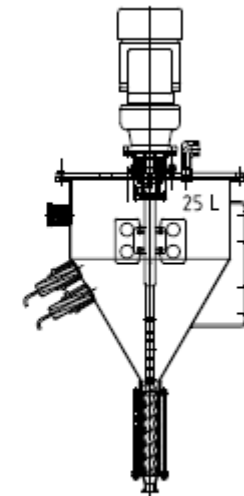
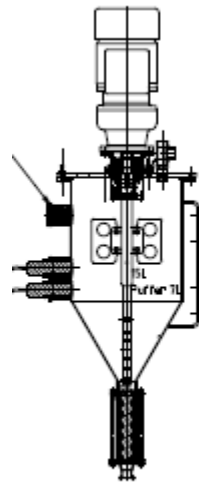


New product information – Technical update:

ViscoTreat-R: new standard

The ViscoTreat-R treatment system has been technically updated and now several components has been set as the standard design of the ViscoTreat-R –system:

1. The standard tank sizes which are available are a 15 l and a 25 l-tank.
2. The standard dosing pump, which is integrated at the ViscoTreat-R is the 3 VRP 18-pump.
3. The cover plate could be either a hinged-cover or a vacuum-tight-cover

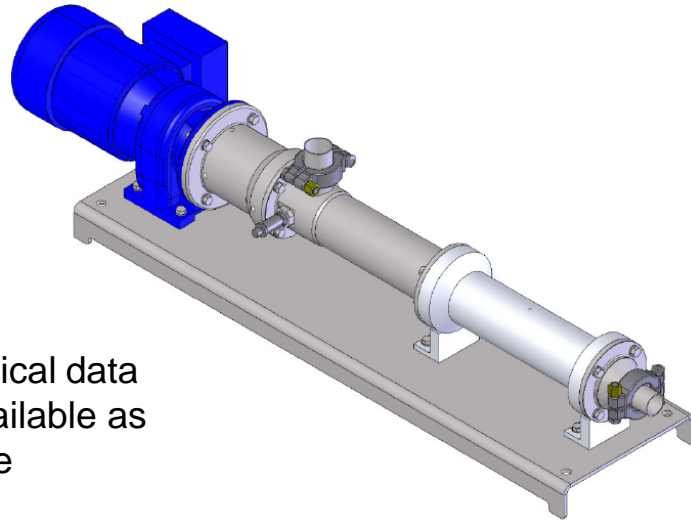


New dosing pump 3 VMP 36:

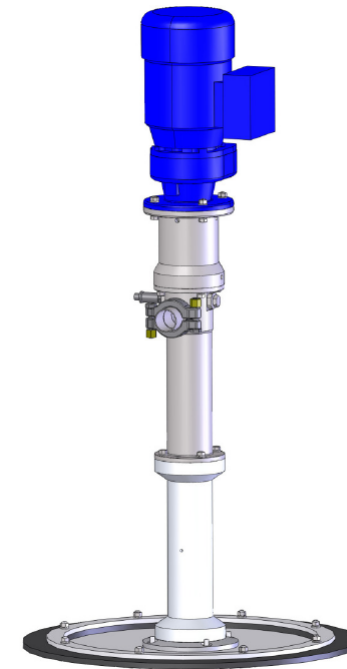
ViscoTec has developed a new “big” dosing pump, which will be especially used as a pump in emptying systems (ViscoMT-L / XL). This pump offers a lot of advantages. So for example does the 3 VMP 36 have a sealing system like the dispenser and also does also have a flexible shaft.

Technical data:

Volume / turn:	65.0 ml / turn (rpm)
Flow rate:	650 ml/min – 7800 ml/min
Weight:	approx. 25 kg (without motor)
Motor / drive:	Geared motor
Special sealing area and flexible shaft	
Inlet / outlet pressure:	0-40 bar



A detailed technical data sheet will be available as soon as possible



Preview 2011:

After the economical crisis in 2009, this year the economy recovered and also for ViscoTec it was a good year. The traditional fields like automotive or electronics, but also the alternative energy branch (solar market) offered good chances this year.

In 2011 ViscoTec is also planning to cover and concentrate on these markets as well as trying to get into new fields. Also new products will be presented very soon in the new year.

In 2011 ViscoTec will take part at following exhibitions:

- SNEC PV solar exhibition in Shanghai (22nd – 24th of February 2011)
- Interpack (exhibition for packaging) Dusseldorf (12th – 18th of May 2011)
- EU PVSEC solar exhibition in Hamburg (5th – 8th of September 2011)
- BONDEXPO – exhibition for adhesives / dosing technology in Stuttgart (10th – 13th of October 2011)

In this way, ViscoTec would like to thank you for the good cooperation and partnership this year and wishes you Merry Christmas and a happy and prosperous new year 2011!