

Speed-Control Plug'n'Dose TP version

Dosing technology Dosing system



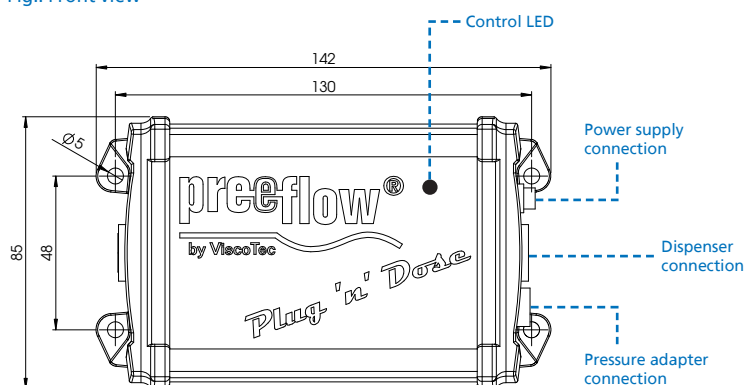
PRODUCT DESCRIPTION

The preeflow Speed Control 'plug'n'dose' TP control unit allows you to control the eco-PEN using a simple time/pressure control unit.

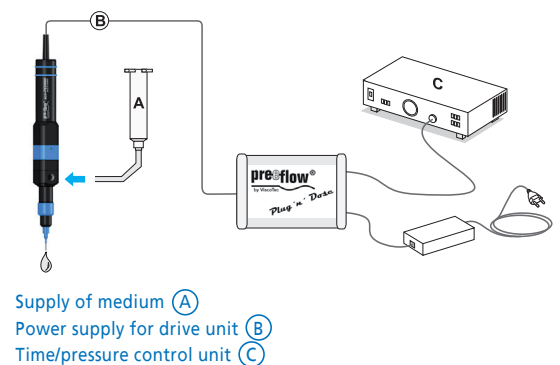
OPERATING PRINCIPLE

Microprocessor-controlled. The supplied pressure adapter is connected to a conventional time/pressure control unit. The flow rate and flow speed of the eco-PEN are controlled using the specified pressure and a time mode.

Fig.: Front view



Connection



TECHNICAL DATA

Dimensions (W x H x D):	142 x 85 x 50 mm
Mounting:	4 holes / 5 mm, hole interval 130 x 48 mm
Weight:	Approx. 260 g
Supply voltage:	24 V DC
Mains adapter:	Included in delivery
Consumption / rating:	100 VA / 2.7 A
Operating conditions:	+10°C to +40°C (non-condensing), air pressure 1 bar
Storage conditions:	Dry / dust-free, -10°C to +40°C

preeflow[®]
by ViscoTec

info@preeflow.com | www.preeflow.com

© ViscoTec Pumpen und Dosiertechnik GmbH
02/10 – Subject to technical changes,
typographical errors and misprints reserved.