



New possibility for Conformal Coating

 **SAN-EI TECH**

The logo icon for SAN-EI TECH is a square divided diagonally from the top-left to the bottom-right. The upper-left triangle is white, and the lower-right triangle is blue.

www.san-ei-tech.co.jp



S.E.T. recommendations for coating application

Current lineups

Contact dispensing

Air-powered dispenser
SDP series



Dispensing valves
SV51/62



Non contact dispensing

<for area coverage>
Spray valve
SV91/97



<for dot dispensing>
Jet dispenser
HYPERDOT



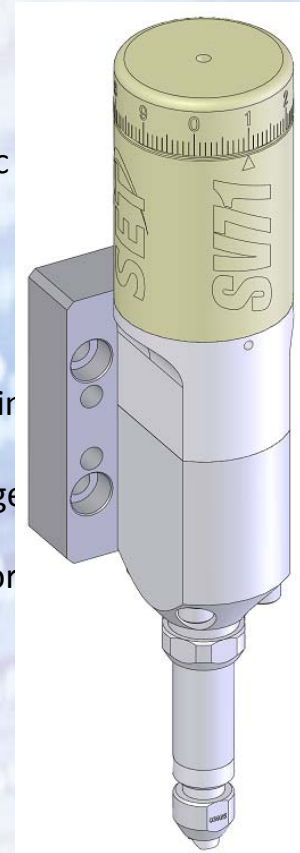
Conformal Coating

A solution that addresses the specific challenges of the application where the current products are unable to achieve



The fluid that is likely to cause a mist like a “spider web” can also be used in such a manner as non contact dispensing or on a large area coverage

Integration with Square nozzle and/or Heating system, SV71 can provide a high-level of dispensing process

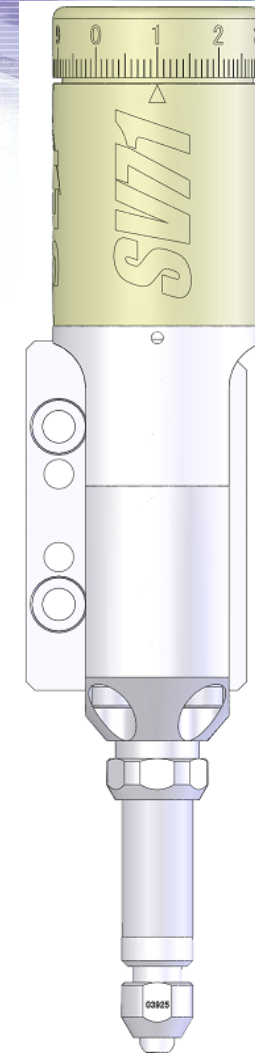




Features of SV71 Conformal Coating valve

Maximizing the dispensing quality:

1. Square nozzle is installed as a standard
2. Large coverage of coating with low flow rate
3. Ensuring dispensing consistency at start/stop points

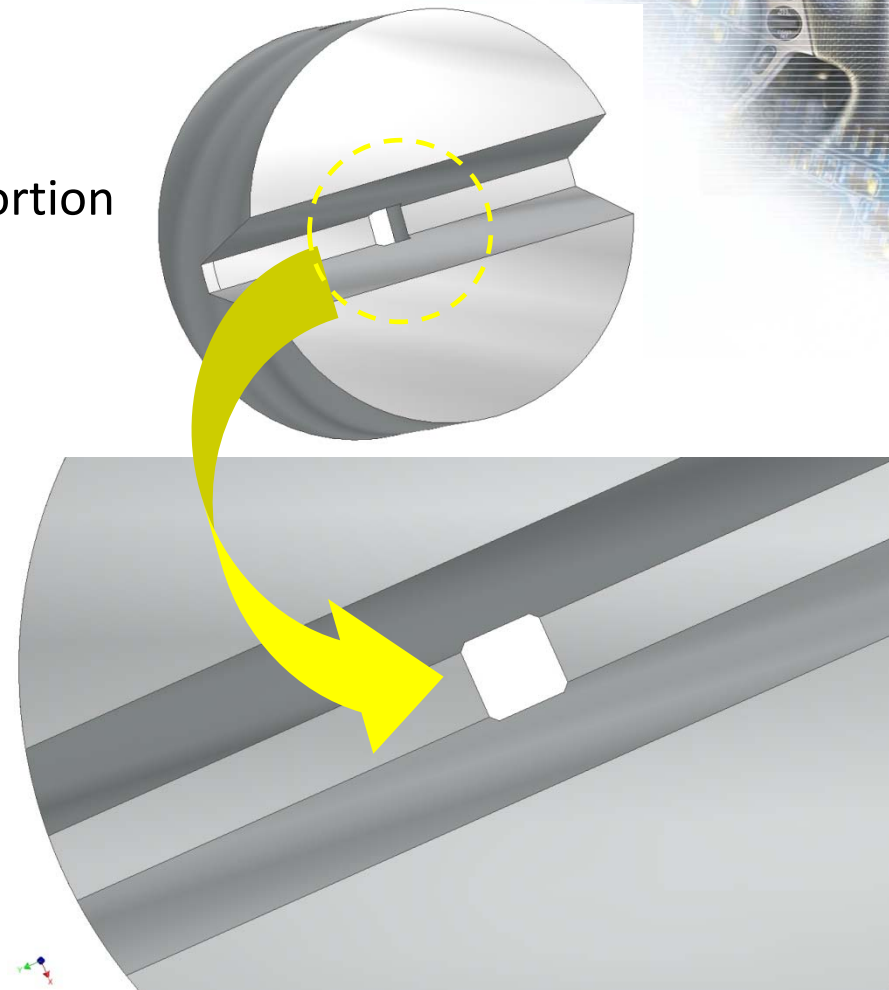




PERFECT COATING 1/3

Square Nozzle

- Rectangular geometry of the tip portion results in reducing clogging
- Carbide nozzle ensures reliability and long durability of the valve

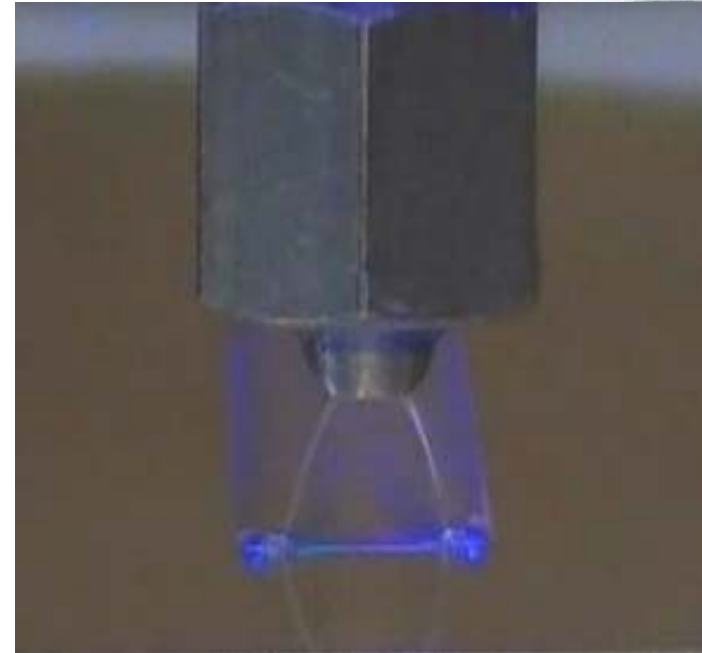




PERFECT COATING 2/3

Large coverage of coating with low flow rate

Equivalent diameter of the tip on Square nozzle provides large coverage of coating with low flow rate, which ensures a ultimate level of dispensing process without scattering



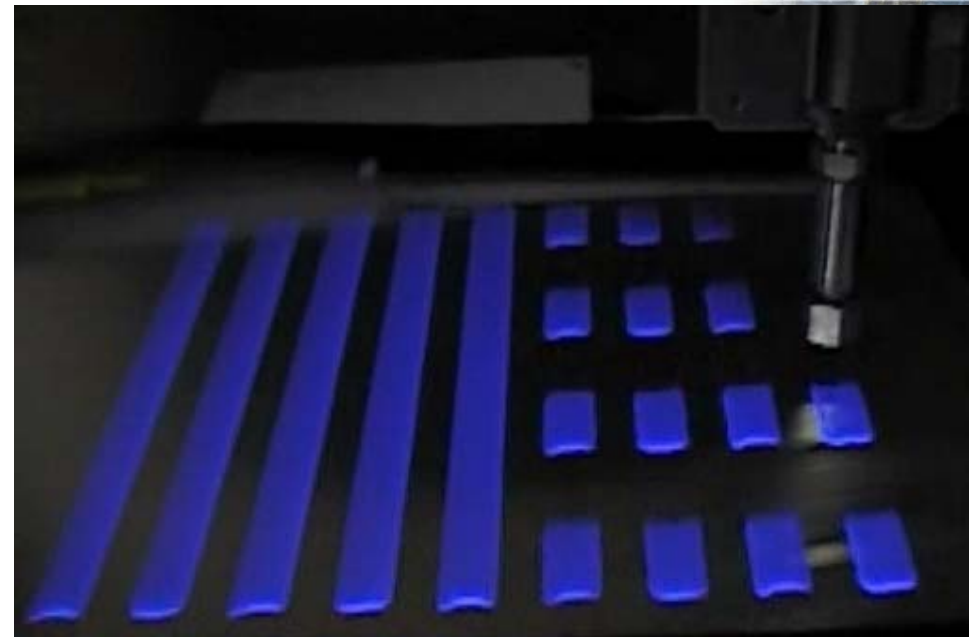


PERFECT COATING 3/3

Ensuring dispensing consistency at start/stop points

Unique motional technology of lifting up the valve at an exquisite speed (not too fast, not too slow) combined with Square nozzle enables to create accurate dispensing patterns

* Minimum response time: 10ms



HUMI SEAL : 1B66(NS)

(exposed by the black light)