

# AD2200C

**NEW**

Add  
New Function

**AD 2200C**

Easy operation

Low power consumption

## Channel Function

Memorized shot-time up to 10 pattern

## Teaching function

Manual dispense shot time can transfer to channel

## Shot count function

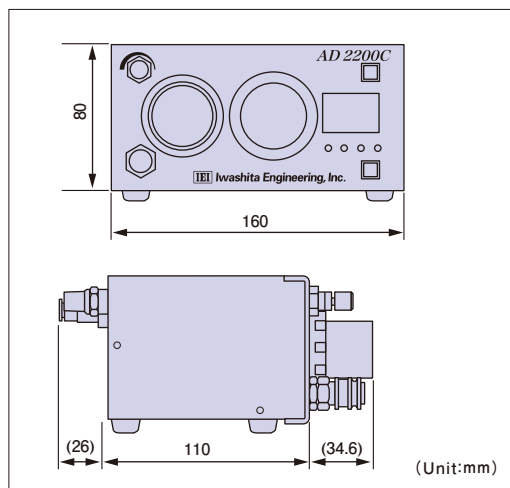
Display "Count Up" after reach setting number

## Interval function

Continue Shot on & off with interval time

## Changeable shot end signal type

Select shot end signal type



### Standard Specifications

Power supply	AC85V~AC264V(50Hz/60Hz)
Power consumption	4.5VA
Power source	Max0.99MPa (Non-lubricated dry air)
Adjustment range for air pressure	AD2200C : 50~700kPa / AD2200CL : 20~200kPa
Shot time range	0.010sec~99.999sec Adjustable by 0.001 sec step
Operation mode	AUTO : Timer operation mode(Metering shot) STEADY : Steady operation mode(Continuous shot)
Vacuum functions	Adjustable with a dial
Input signal	Foot switch or non-voltage normal open input (Voltage input changeable by internal dip switch)
Operating temperature range	+5℃~+40℃(Non-condensing)
Overall dimensions	160(W)×110(D)×80(H)mm
Weight	1.4kg
Standard accessories	FS04 Foot switch / AC adapter

● Specifications and the appearance are subject to change due to improvements without notice.

**THE PIONEER IN FLUID DISPENSING TECHNOLOGIES**

**IEI Iwashita Engineering, Inc.**

<http://www.iwashita-eng.co.jp>

**HEAD OFFICE (JAPAN)**

No. 3-11-5, Takanawa, Minato-ku, Tokyo, 108-0074

PHONE : 81-3-5447-8141 FAX : 81-3-5447-8139

IEI-SINGAPORE

TEL +65(6743)4114

IEI-THAILAND

TEL +66(2)714-3160

IEI-ShenZhen(CHINA)

TEL +86(755)8359-0580

IEI-SuZhou(CHINA)

TEL +86(512)6805-0161